

Jonathan Lowe
Portfolio
2023 Industrial Design



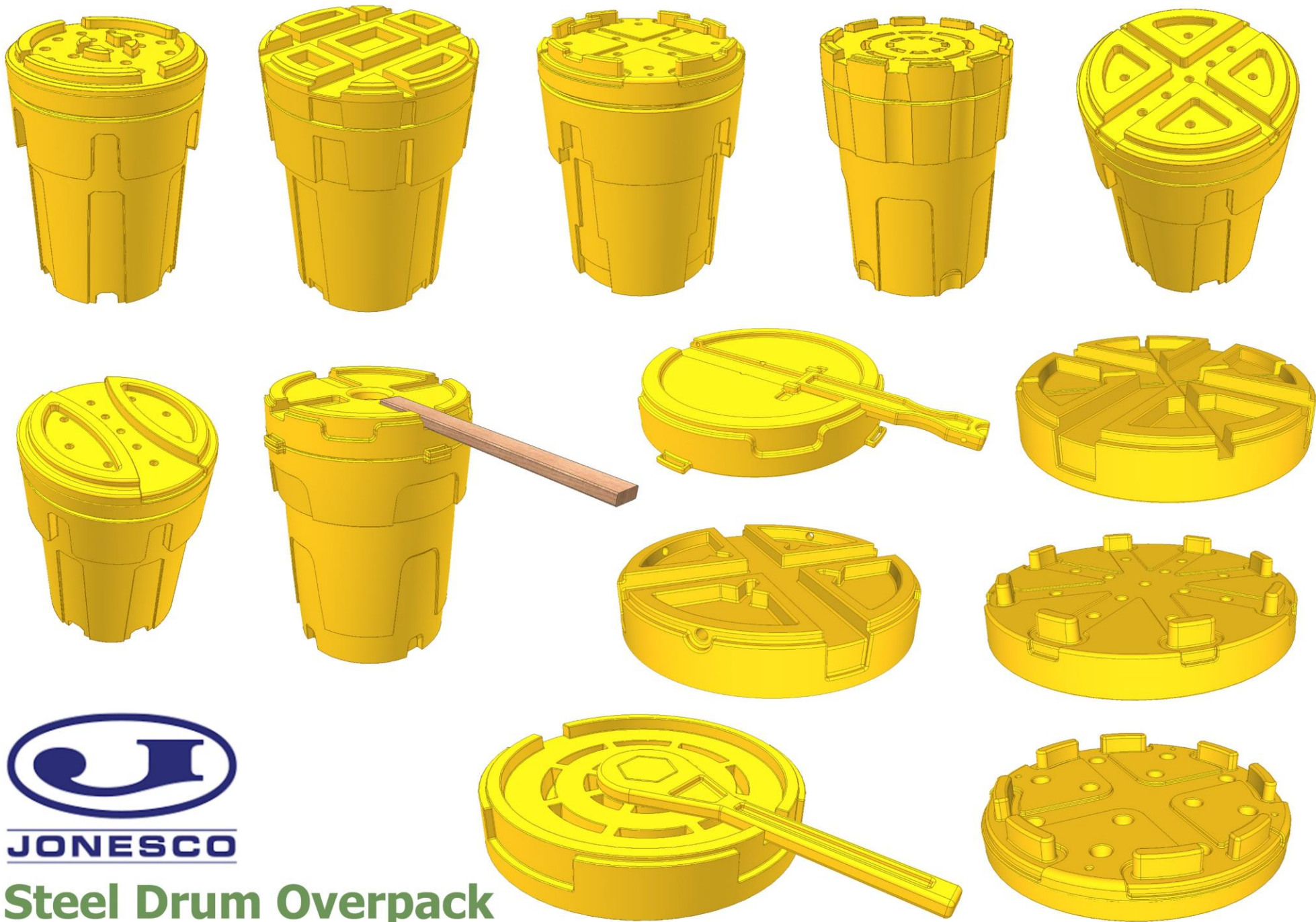
JONESCO

Steel Drum Overpack



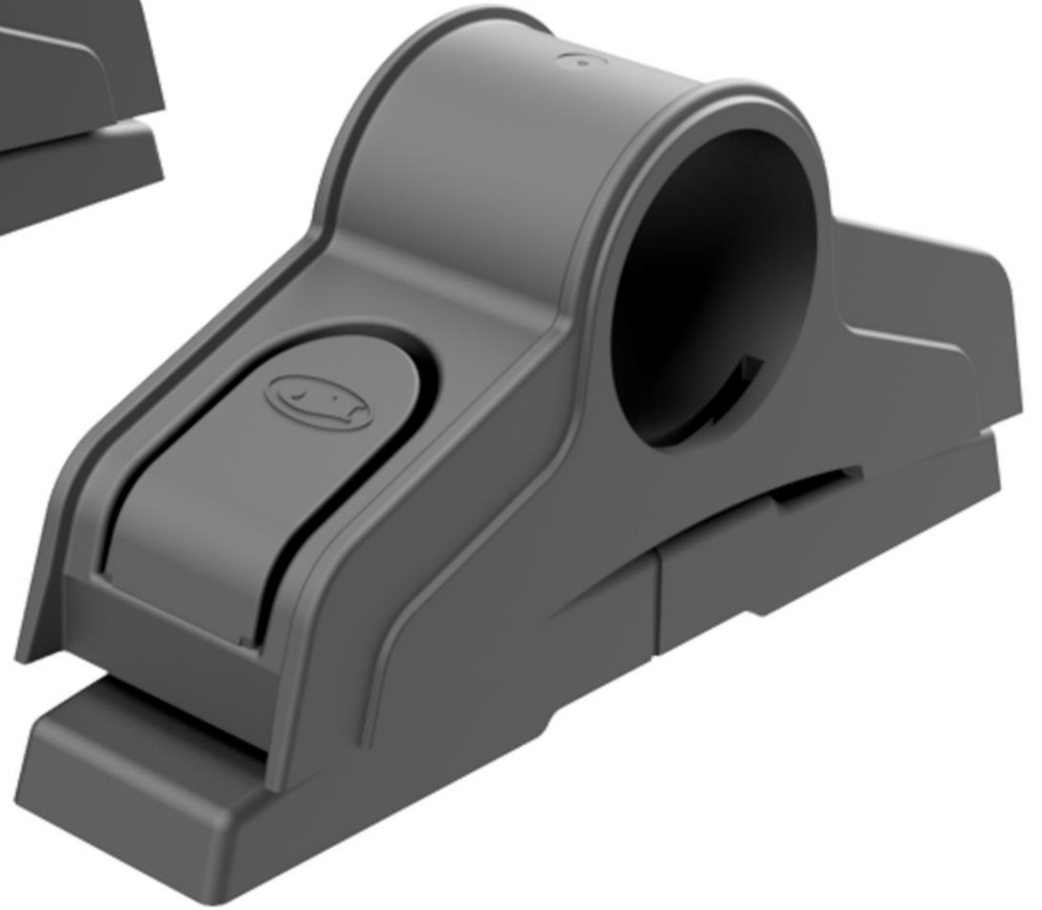
JONESCO

Steel Drum Overpack



JONESCO

Steel Drum Overpack



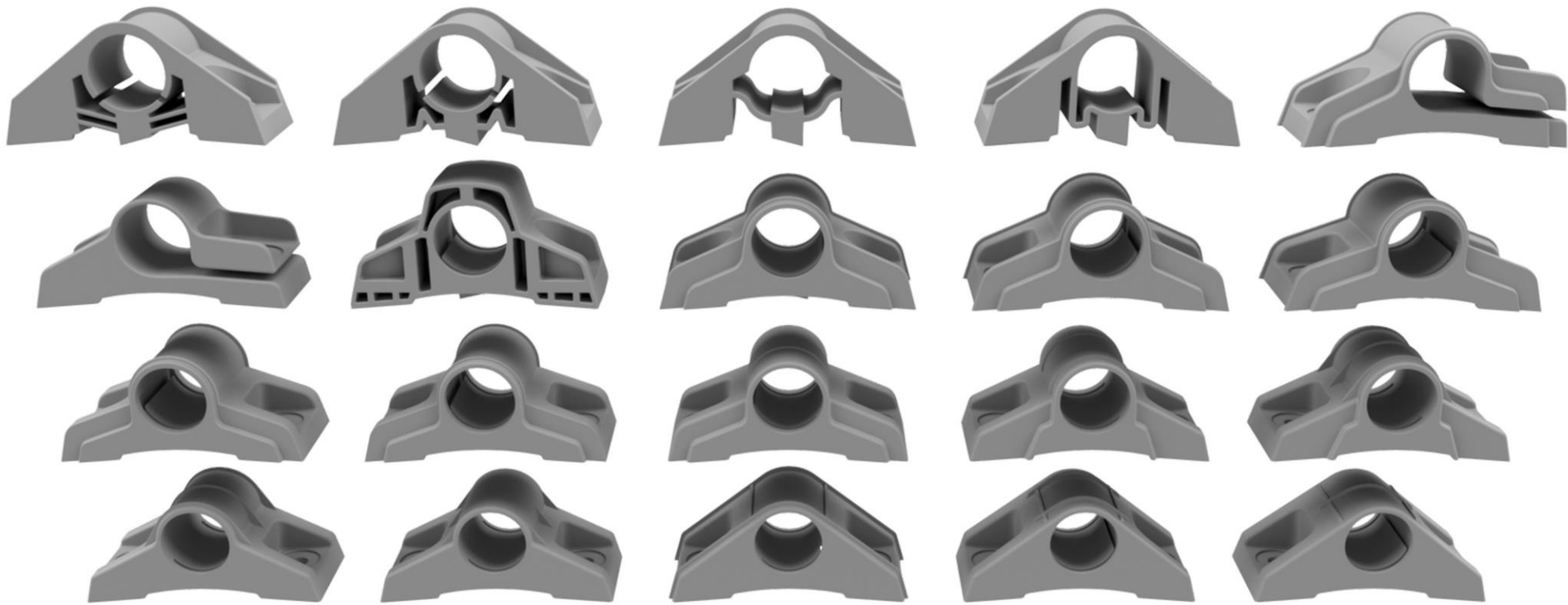
JONESCO

Truck Mudguard Fixing



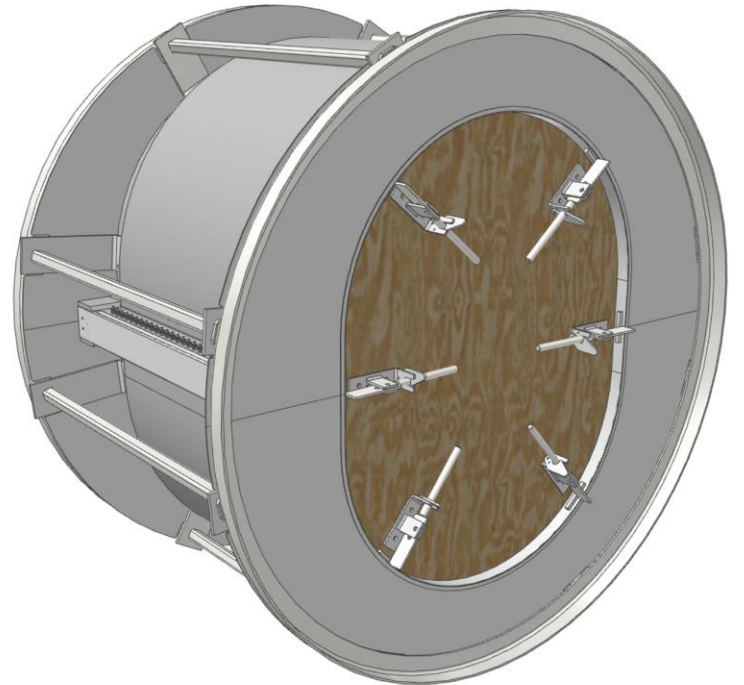
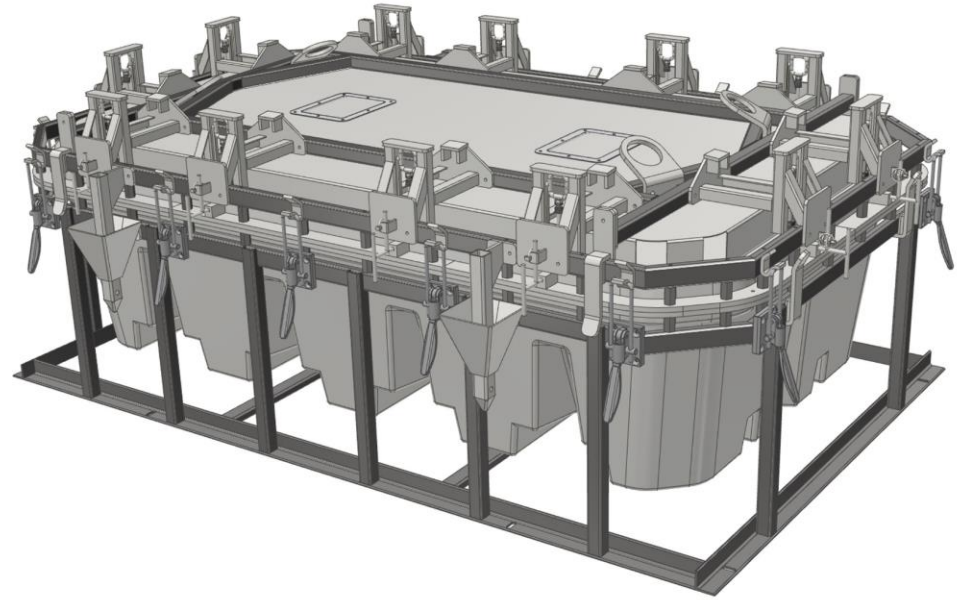
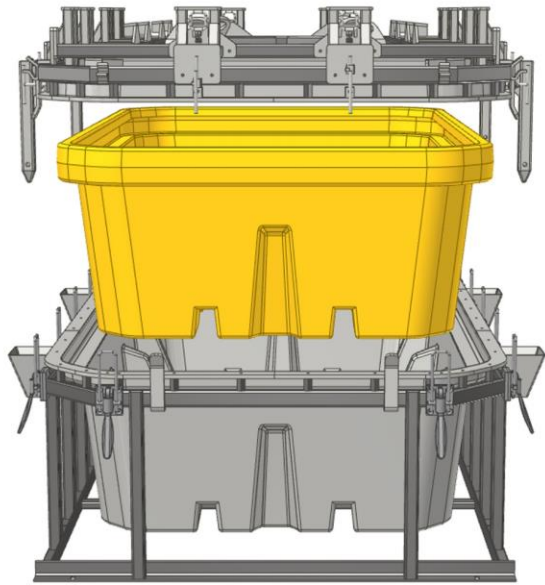
JONESCO

Truck Mudguard Fixing



JONESCO

Truck Mudguard Fixing

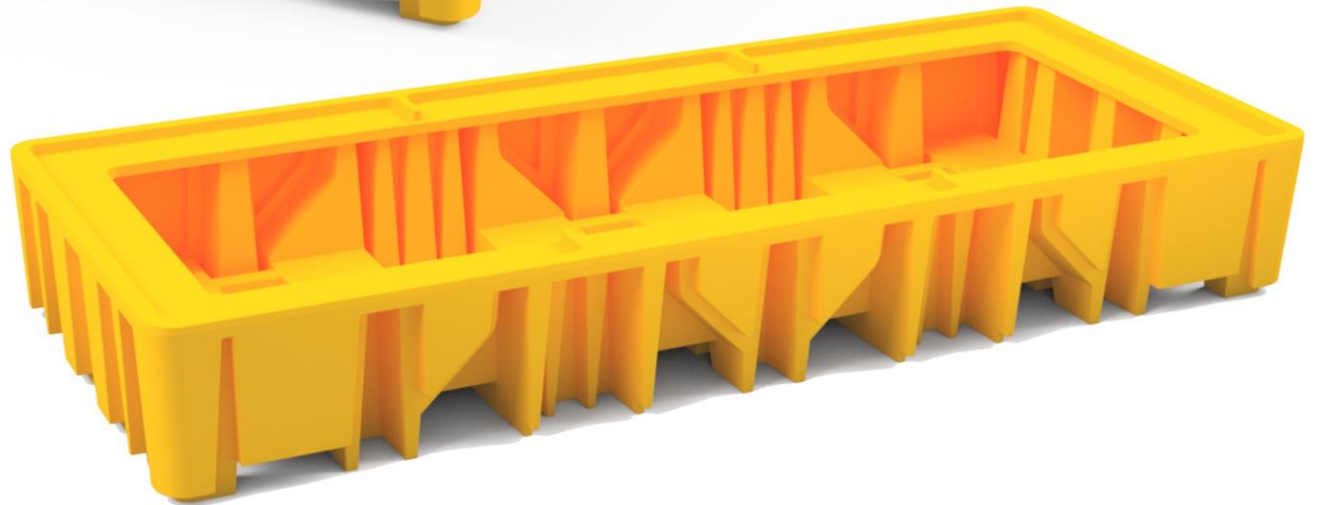


Rotational Moulding Tool Design

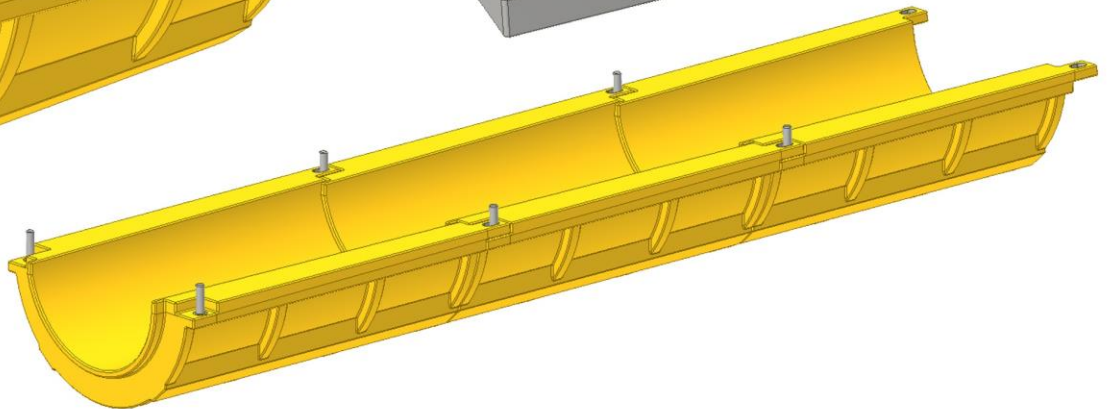
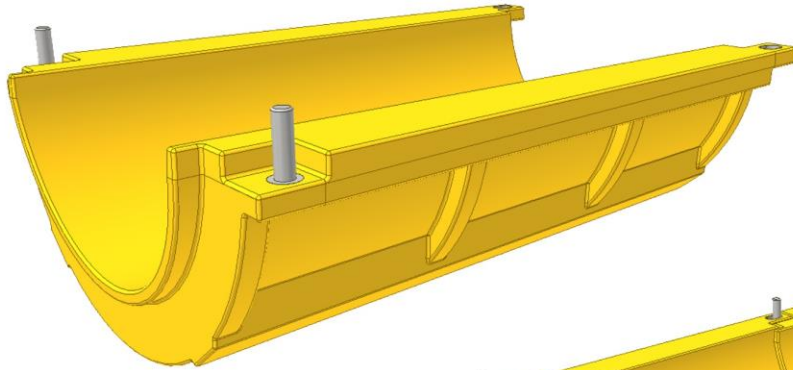
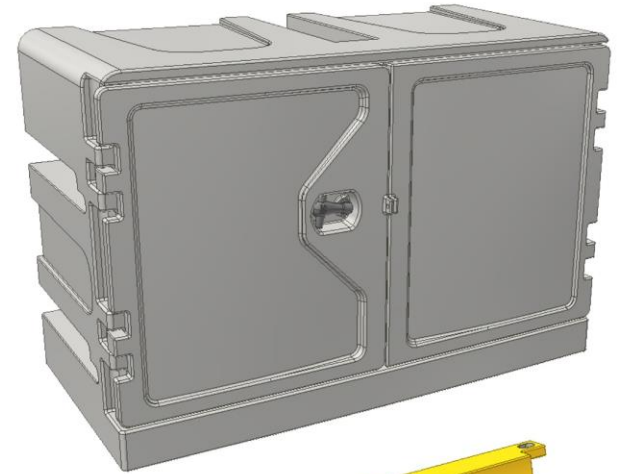
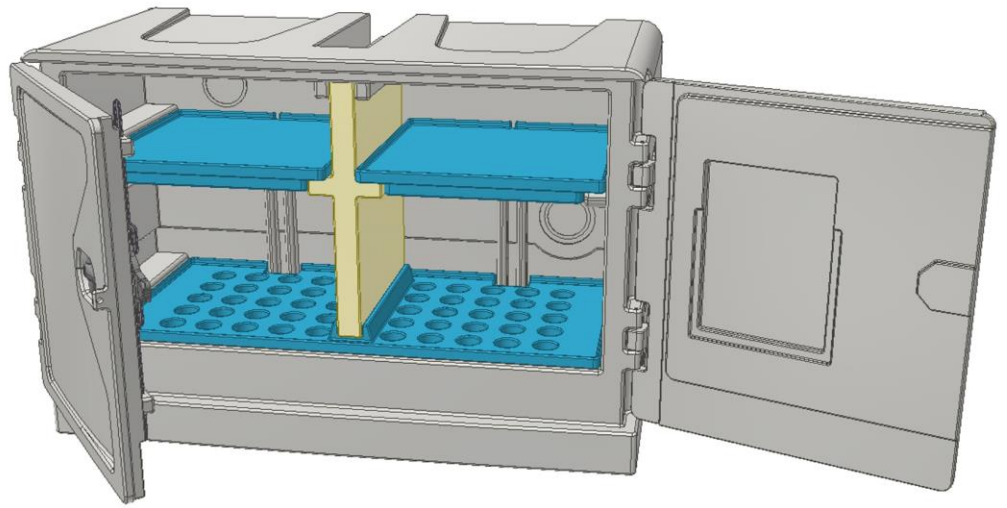


JONESCO

Triple IBC Spill Containment Bund



Triple IBC Spill Containment Bund



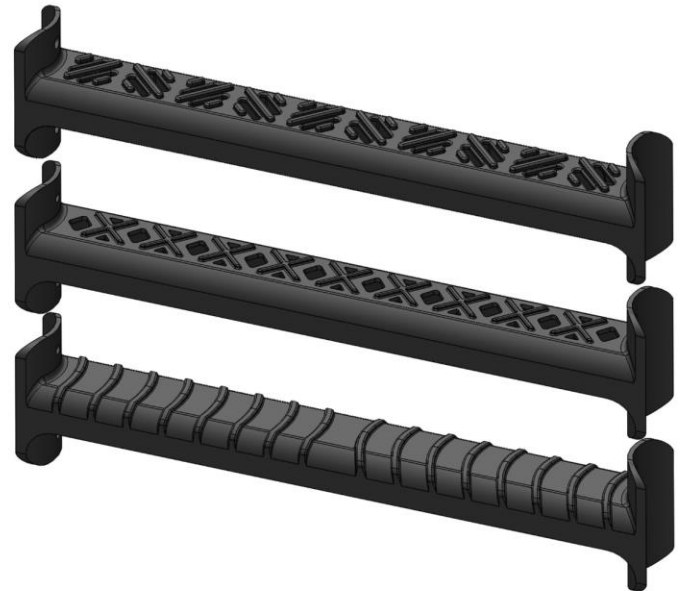
JONESCO

Various Concepts



 **PRODUCTS**
Rhino

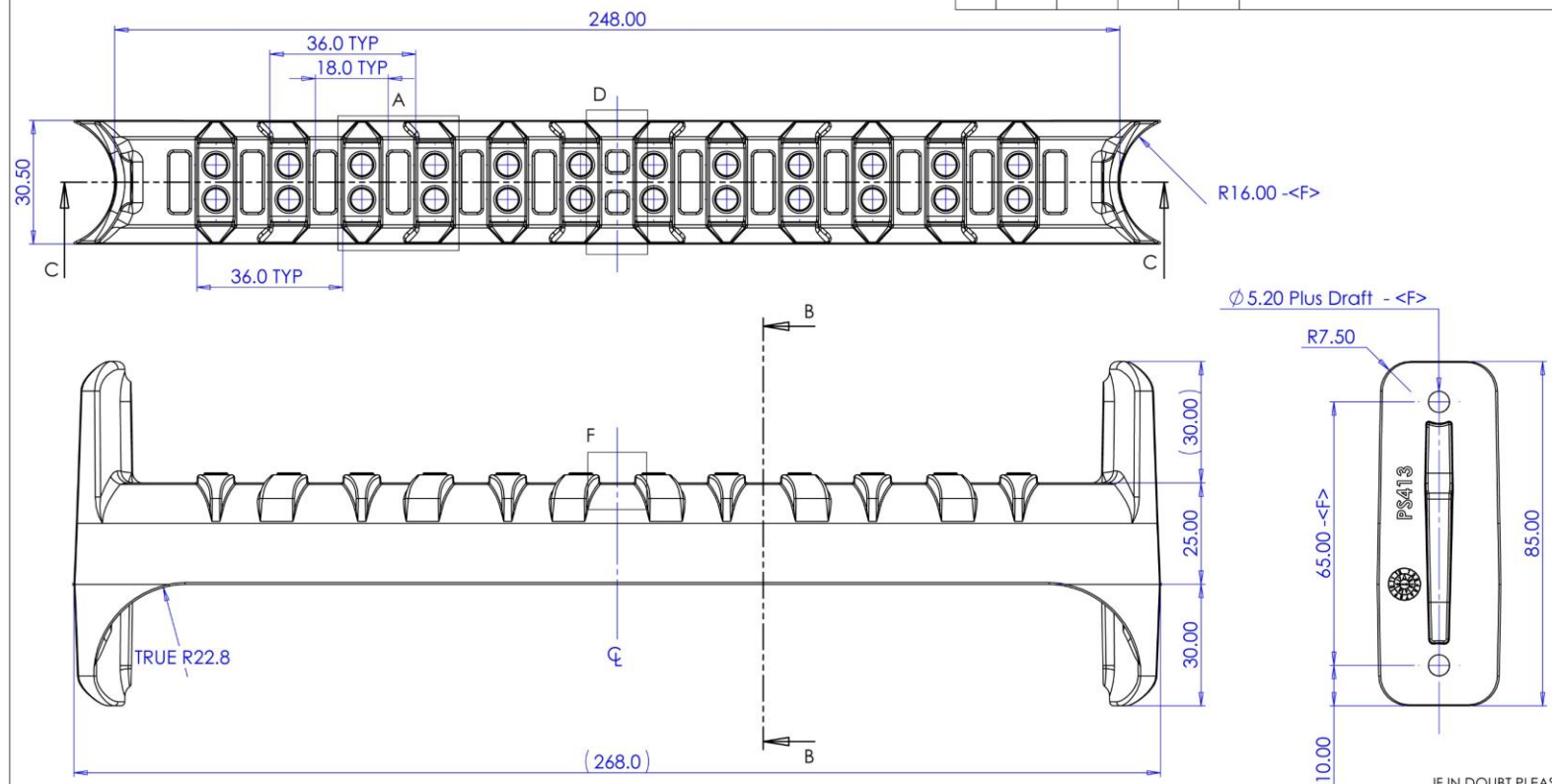
Aluminium Ladder



PRODUCTS[®]
Rhino

Aluminium Ladder

| ISSUE: | DRAWN BY: | CHECKED BY: | CRF NO.: | DATE: | DESCRIPTION: |
|--------|-----------|-------------|----------|----------|------------------------------------|
| 0 | JL | KB | 2136 | 04/06/19 | New Part. (Raised from DEV-1969_d) |
| | | | | | |
| | | | | | |



UV stabiliser based on 5 years protection in northern hemisphere
 CAD file available
 MATING PARTS: EXT56-14, EXT56-16, EXT56-09a, EXT56-09b, FR006



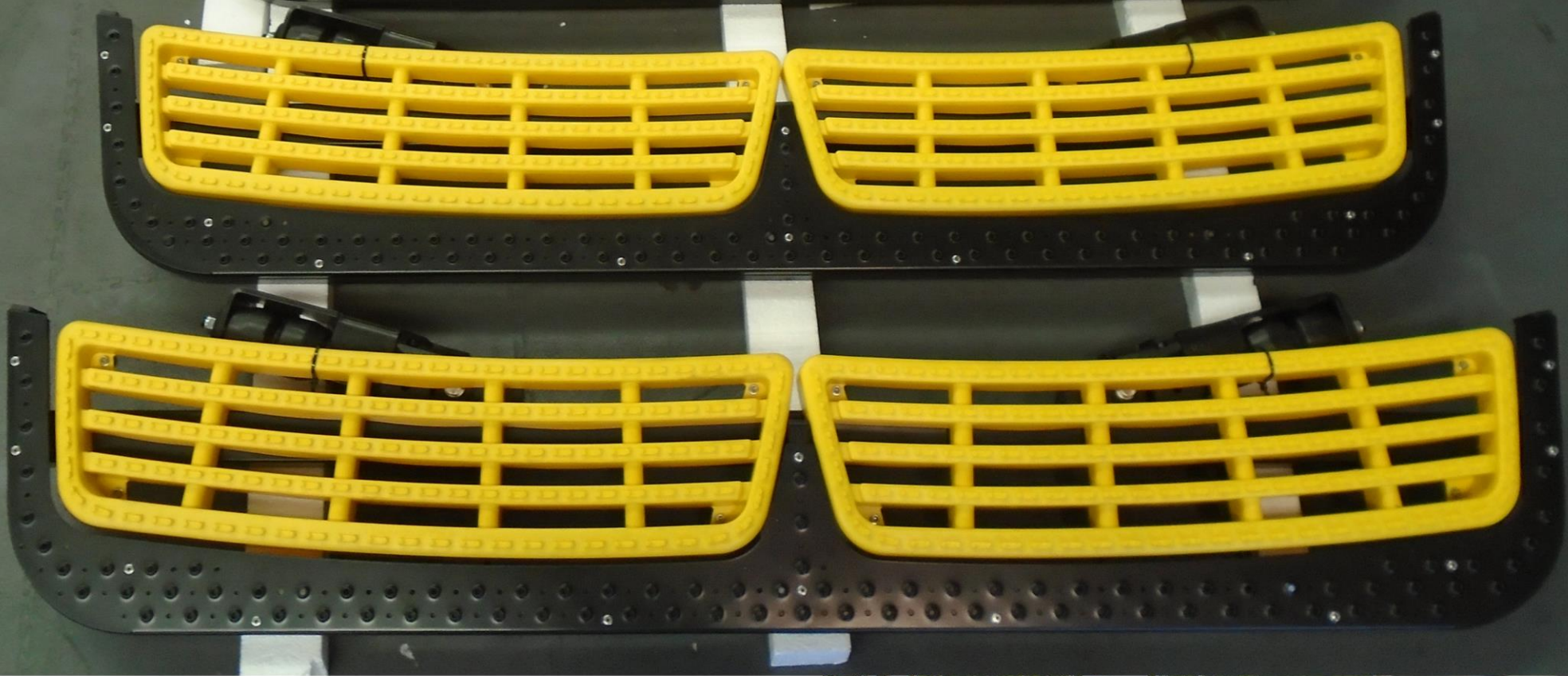
| | | |
|---|--|-----------------------------------|
| DRAWING NO: PS413 (1 of 3) | DESCRIPTION: Composite Ladder Rung | DESIGNED BY: JLowe 04/05/19 |
| MATERIAL SIZE: n/a | MATERIAL SPEC: Nylon PA66 30%GF | WEIGHT: 0.14Kg |
| FINISH: Black (RAL 9005) - Surface Finish 24 V.D.I Unless Stated | | |

© NOTE: This drawing is the property of Rhino Products Ltd and must not be used or copied without written consent. The Rhino Products name and logo must remain clearly visible in any reproduction.

IF IN DOUBT PLEASE ASK

| |
|--|
| <p>THIRD ANGLE PROJECTION UNLESS OTHERWISE SPECIFIED: DIMENSIONS ARE IN MM</p> |
| <p>0.00 ±0.2 0.0 ±0.5 ANG ±0.5°</p> |
| <p>DERIVED DIMENSIONS SHOWN IN BRACKETS <F> - CRITICAL FIT DIMENSION <S> - SAFETY CRITICAL DIMENSION</p> |
| <p>DEBURR AND BREAK ALL SHARP EDGES SHEET SIZE A3 SHEET SCALE: 1:1</p> |

Frm No:076 Revision: D Date: 23/10/17



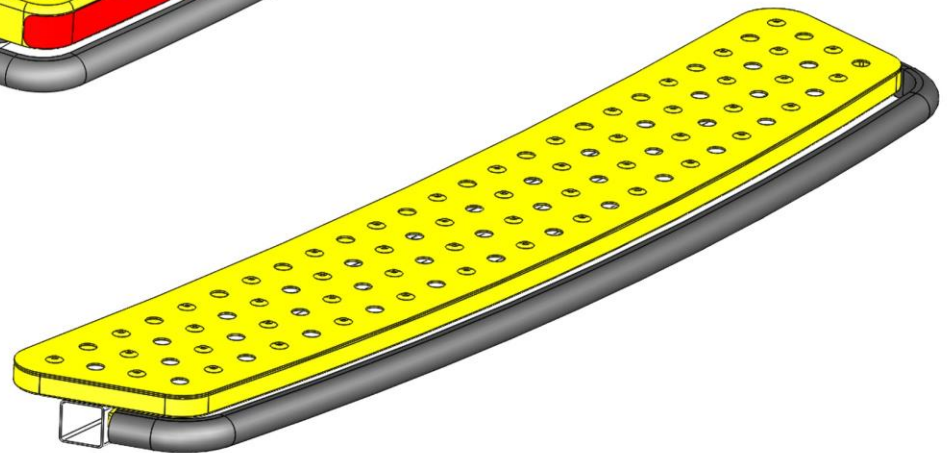
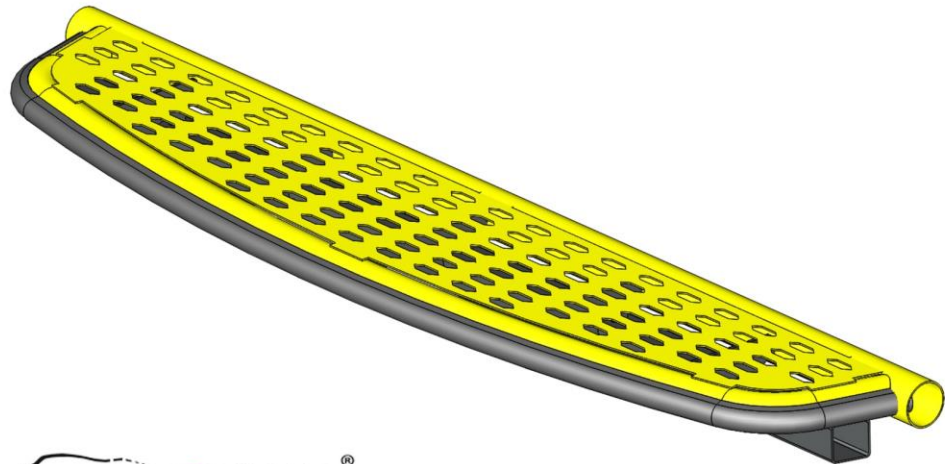
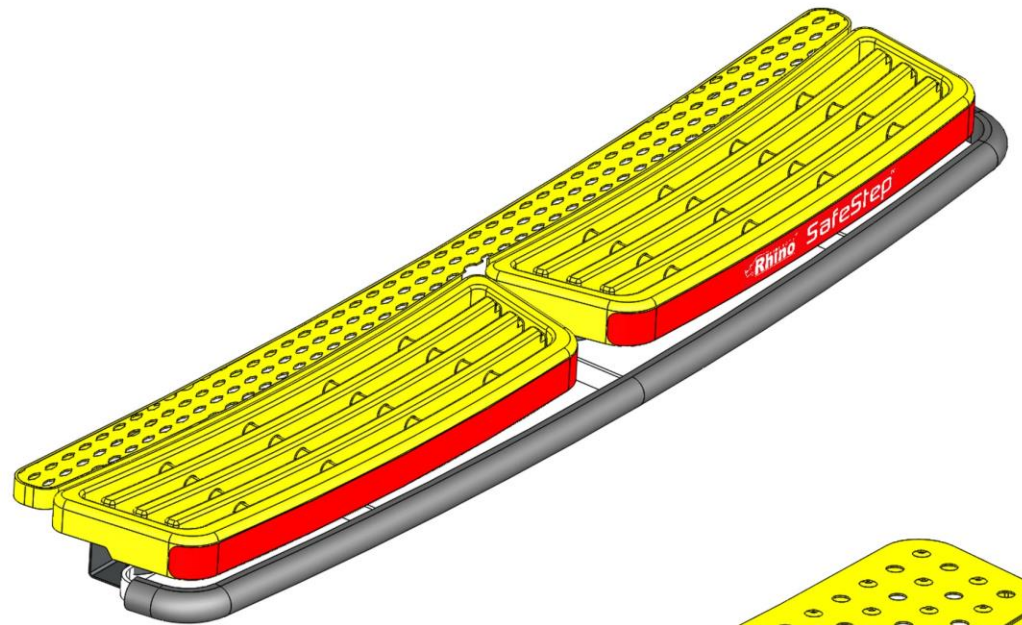
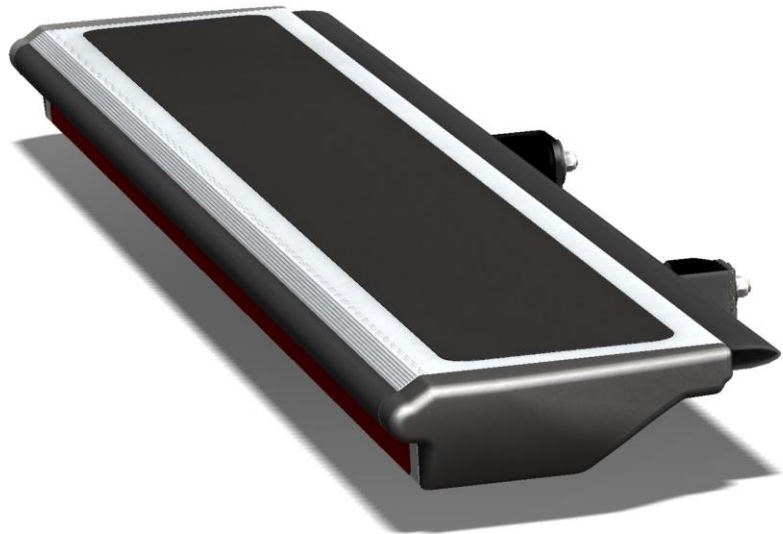
Chanje / FedEx Step



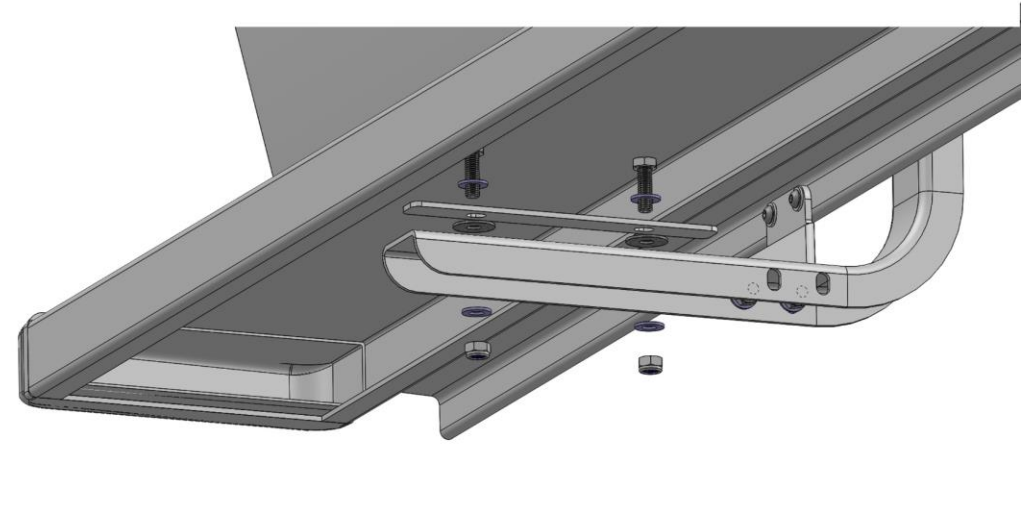
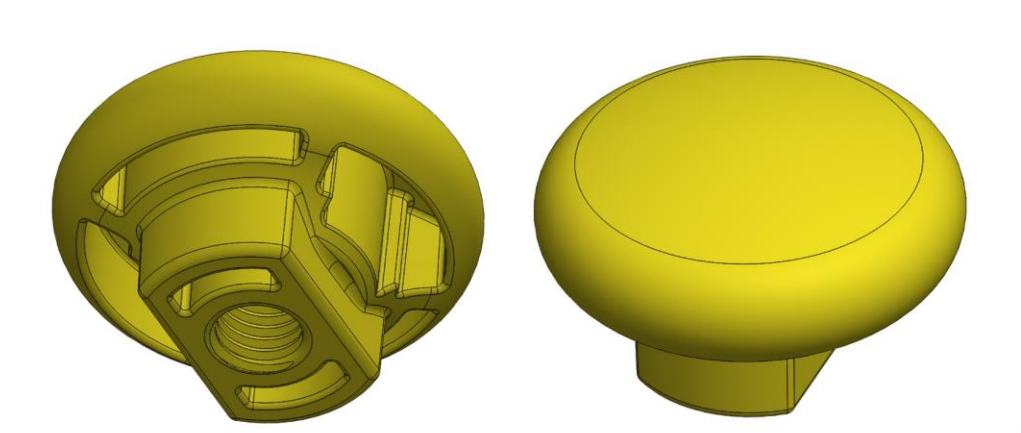
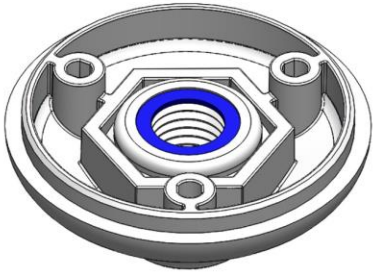
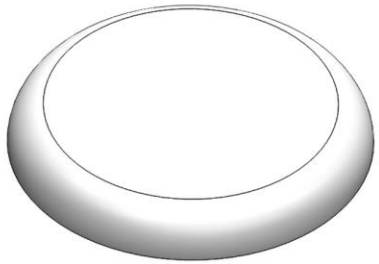
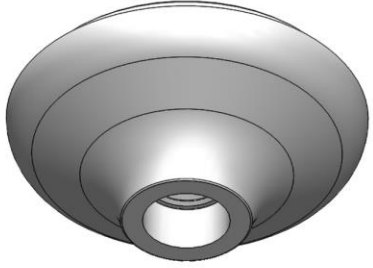
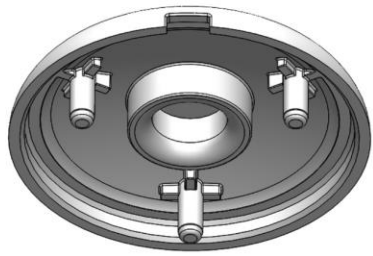


 PRODUCTS[®]
Rhino

Chanje / FedEx Step



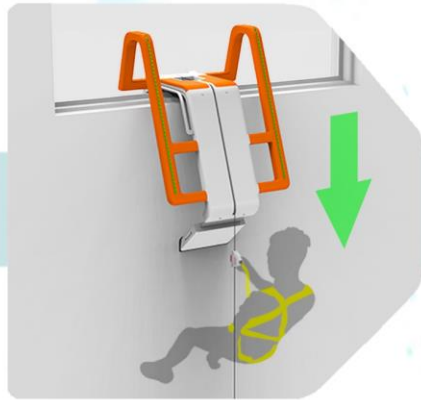
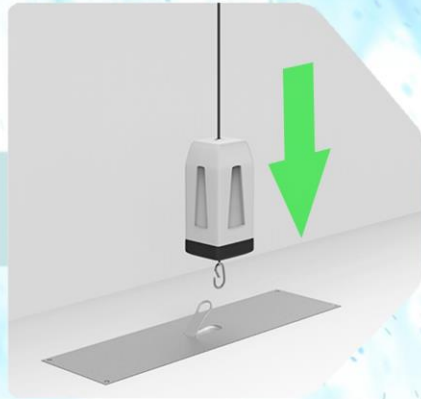
Chanje / FedEx Step



Various Components



Xitus
last resort escape device



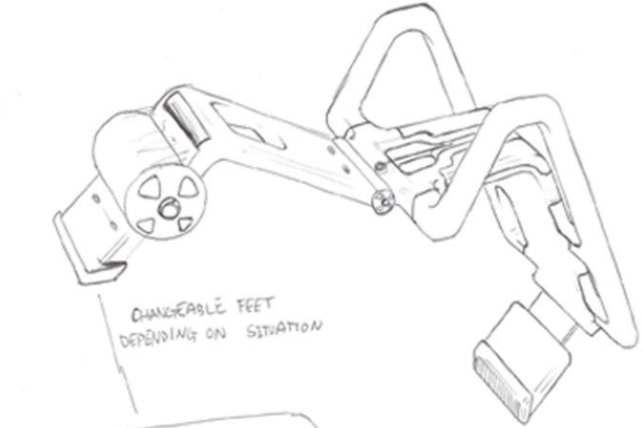
Xitus
last resort escape device

REFLECTIVE / GLOW IN THE DARK STRIP



FLUSHING MEGANS

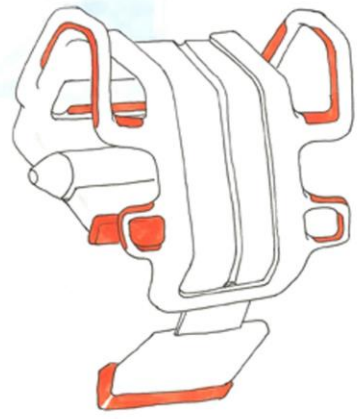
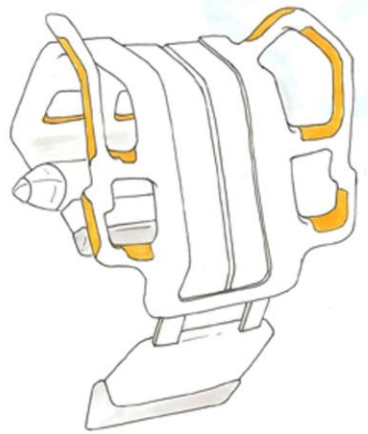
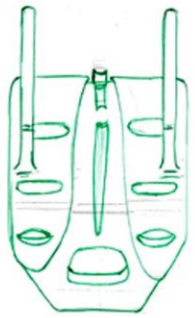
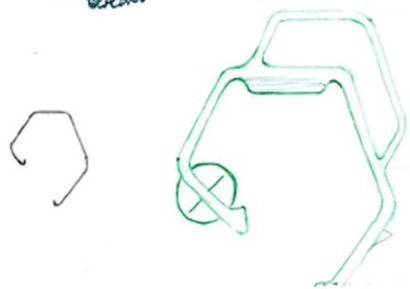
THREE SETS OF BEACONS SO CAN BE SEEN FROM VARIOUS POSITIONS



CHANGEABLE FEET DEPENDING ON SITUATION

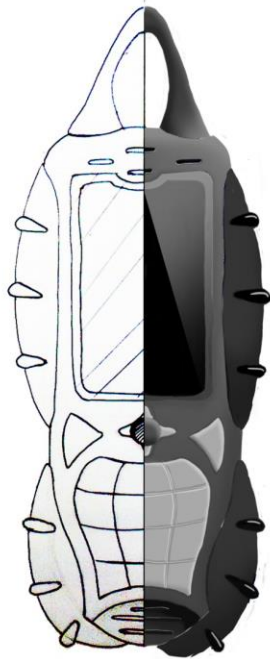
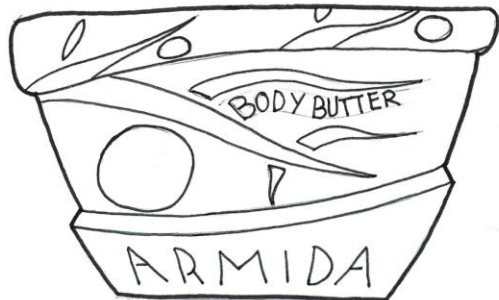
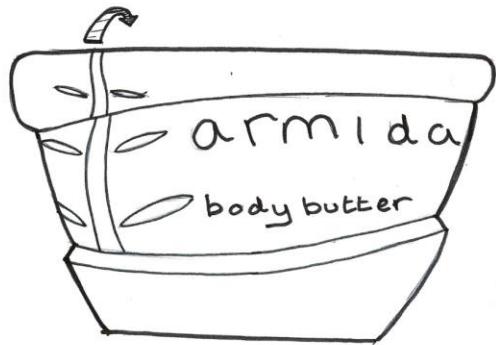
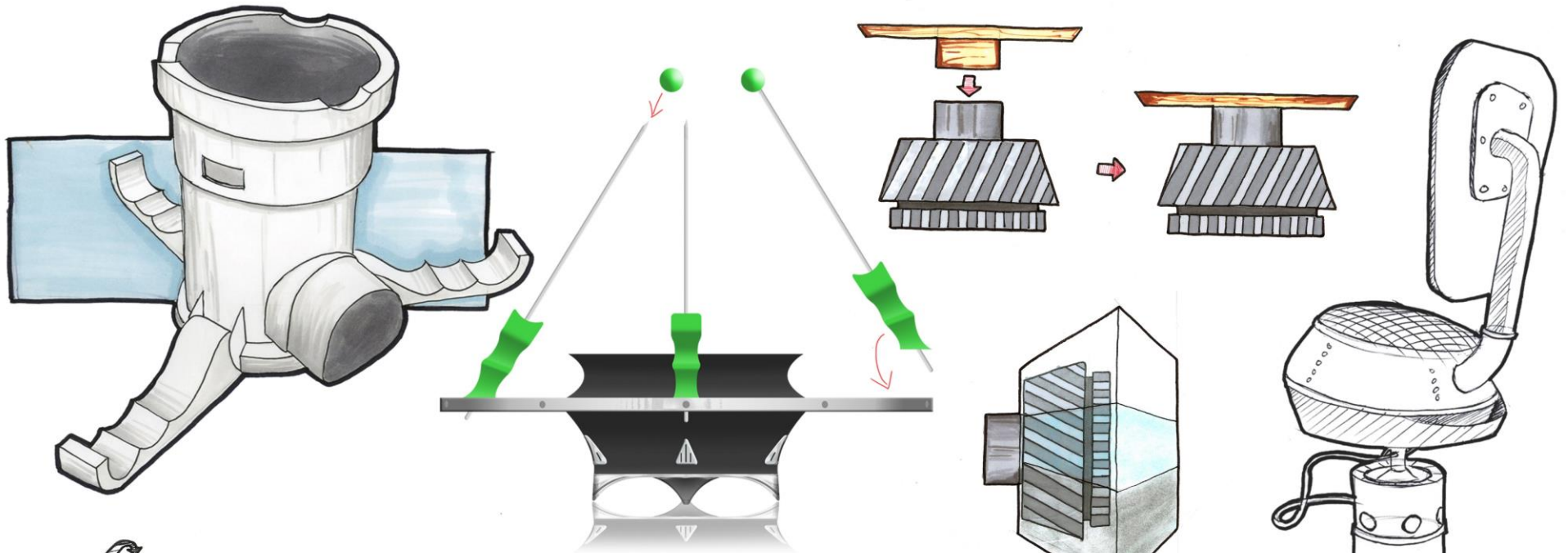


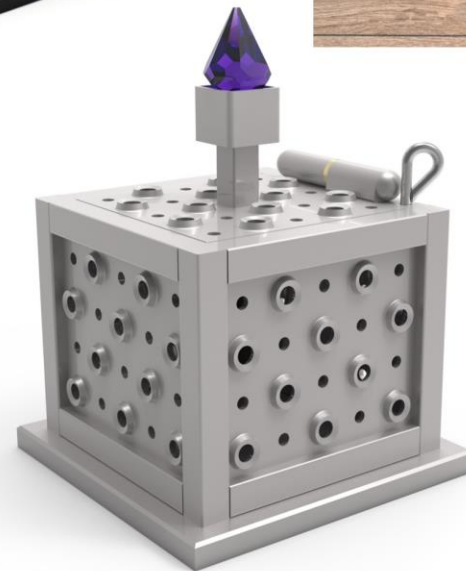
PRONGS FIT INTO BASE PLATE ON FLOOR FOR SITUATIONS WITH FLOOR OR CEILING WINDOWS





Xitus
last resort escape device





Personal Projects



Leatherwork



www.jonathanlowedesign.com

[linkedin.com/in/jonathanlowedesign](https://www.linkedin.com/in/jonathanlowedesign)

jonathanlowedesign@outlook.com

07525132822

Please see website for more projects